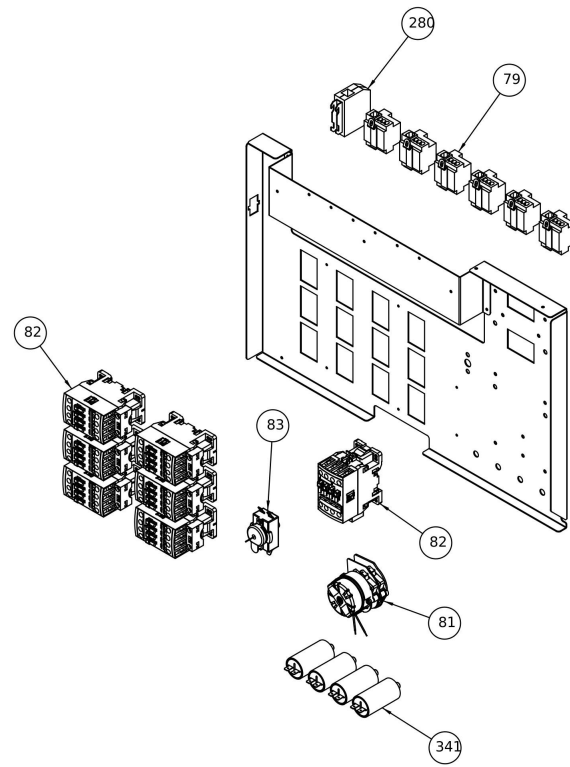
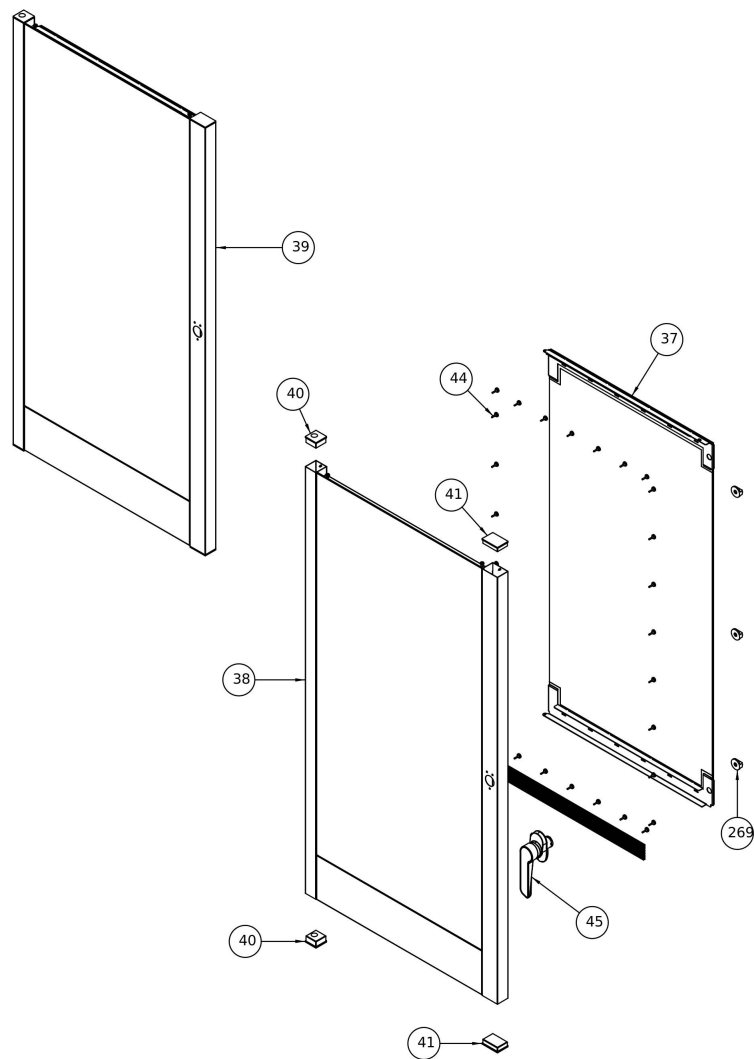


Frontal panel

| #   | Code            | Description                          | Specification             | UM | Qty |
|-----|-----------------|--------------------------------------|---------------------------|----|-----|
| 01  | TBC-85FRO00012* | FRONTAL STICKER                      | To order share oven s/... | pz | 1   |
| 02  | TBC-MAN         | KNOB                                 | To order share s/n        | pz | 3   |
| 03  | 020LSP0004      | DASHBOARD INDICATOR LAMP 230V ORANGE |                           | pz | 2   |
| 06  | TBC-TMR         | TIMER                                | To order share s/n        | pz | 1   |
| 07  | 020TER0001      | CHAMBER THERMOSTAT                   |                           | pz | 1   |
| 08  | 020RDE0001      | HUMIDIFICATION TIMED SWITCH          |                           | pz | 1   |
| 09  | 85CRU00094      | STEEL CONTROL PANEL                  |                           | pz | 1   |
| 24  | 020DEV0001      | 2 SPEED ELECTRIC DIVERTER            |                           | pz | 1   |
| 328 | 020SCH0016      | BUZZER ELECTRONIC BOARD              |                           | pz | 1   |

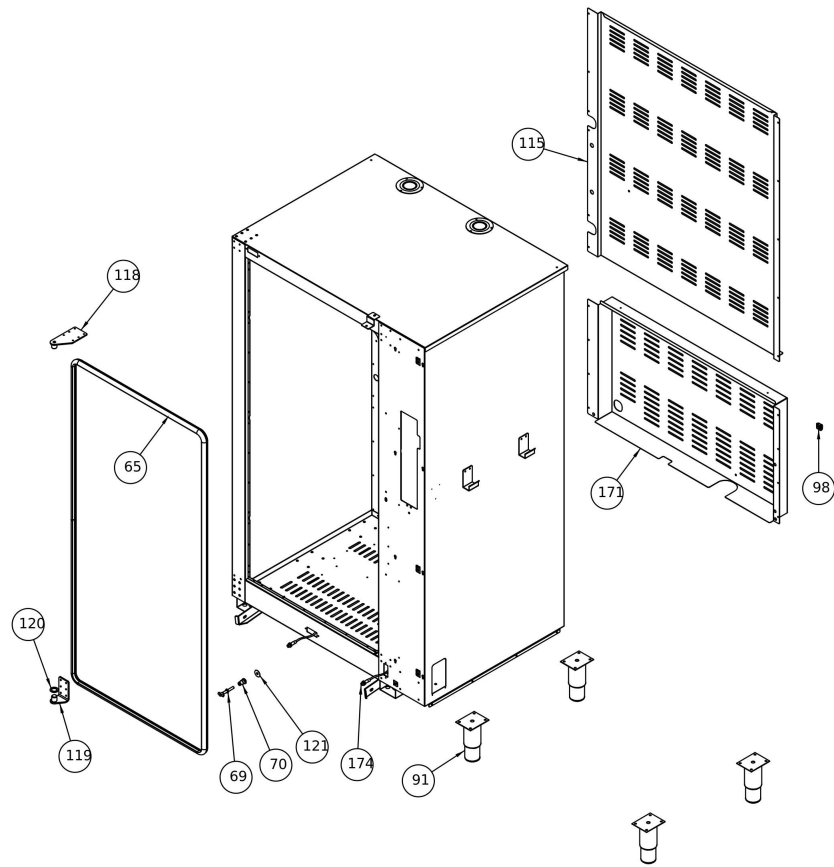


| #   | Code       | Description                  | Specification             | UM | Qty |
|-----|------------|------------------------------|---------------------------|----|-----|
| 79  | TBC-MOR    | POWER SUPPLY CONNECTOR       | To order share oven s/... | pz | 6   |
| 81  | 020PRC0001 | MOTOR DIRECTION TIMED SWITCH |                           | pz | 1   |
| 82  | 020TEL0003 | BRAKER 4POLES 230V 25A       |                           | pz | 7   |
| 83  | 020TER0007 | SAFETY THERMOSTAT            |                           | pz | 1   |
| 280 | TBC-TER    | EARTH CONNECTOR              | To order share oven s/... | pz | 1   |
| 341 | TBC-COND   | CONDENSER                    | To order share s/n        | pz | 4   |



DOOR

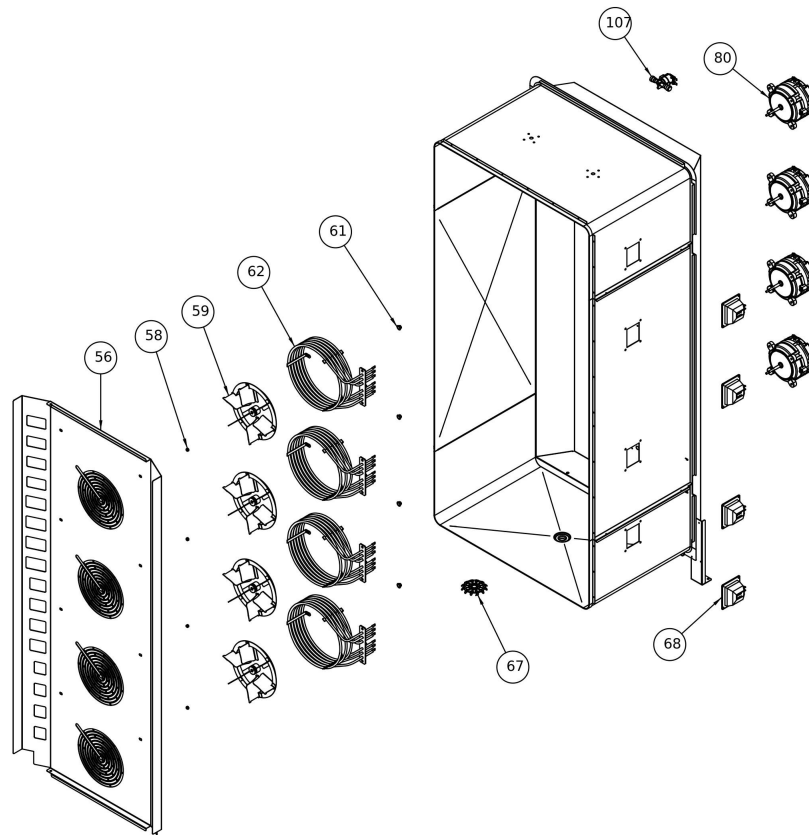
| #   | Code            | Description                              | Specification             | UM | Qty |
|-----|-----------------|--|---------------------------|----|-----|
| 37  | AVI20T          | COMPLETE INTERNAL GLASS DOOR             |                           | pz | 1   |
| 38  | TBC-85AVE00047* | COMPLETE EXTERNAL GLASS FOR SQUERO 16-20 | To order share oven s/... | pz | 1   |
| 39  | TBC-85PTA00093* | COMPLETE DOOR FOR FOR SQUERO 16-20       | To order share oven s/... | pz | 1   |
| 40  | 040TAP00018     | PLASTIC COVER OVEN DOOR                  |                           | pz | 2   |
| 41  | 040TAP00002     | PLASTIC COVER OVEN DOOR                  |                           | pz | 2   |
| 44  | 040TAP00015     | INTERNAL GLASS HINGE                     |                           | pz | 38  |
| 45  | TBC-85MNG00001* | DOOR HANDLE                              | To order share oven s/... | pz | 1   |
| 269 | 040MAN00010     | INTERNAL GLASS BLOCKING KNOB             |                           | pz | 3   |



Oven body

| #   | Code           | Description                 | Specification | UM | Qty |
|-----|----------------|-----------------------------|---------------|----|-----|
| 65  | 040GUA00002    | DOOR GASKET COMBISTEAMER    |               | cm | 440 |
| 69  | 60NASAI001     | HANDLE STUD L70MM           |               | pz | 1   |
| 70  | 60PERAI003     | HANDLE PIVOT RCB-RCG        |               | pz | 1   |
| 91  | 50PIEAI005     | FOOT FOR 16-20 TRAYS OVENS  |               | pz | 4   |
| 98  | 020MOR0001     | GROUND TERMINAL             |               | pz | 1   |
| 115 | 10SCNZ10NSU050 | OVEN BACKSIDE               |               | pz | 1   |
| 118 | 85CER00013     | LOWER DOOR SUPPORT FOR OVEN |               | pz | 1   |
| 119 | 85CER00014     | LOWE DOOR SUPPORT FOR OVEN  |               | pz | 1   |
| 120 | 10PIAA20NAA044 | PLATE                       |               | pz | 1   |
| 121 | 10PIAA10SAA013 | PLATE                       |               | pz | 1   |
| 171 | 10SCNZ10NIN051 | OVEN BACKSIDE               |               | pz | 1   |
| 174 | 20SNS00006     | DOOR MAGNETIC SENSOR        |               | pz | 2   |





Cooking chamber

| #   | Code              | Description                             | Specification      | UM | Qty |
|-----|-------------------|---|--------------------|----|-----|
| 56  | 10DEF00025        | AIR DEFLECTOR                           |                    | pz | 1   |
| 58  | 70DAD00019        | NUT PN M8 SS                            |                    | pz | 4   |
| 59  | 60VENAI013        | IMPELLER 200X61 AIRTEK 2.0              |                    | pz | 4   |
| 61  | 040BOC00006       | CRANKSHAFT BUSH                         |                    | pz | 4   |
| 62  | 020RES67230232617 | HEATING ELEMENT 6,75KW                  |                    | pz | 4   |
| 67  | 85PIA00007        | DRAIN COVER                             |                    | pz | 1   |
| 68  | 020LAM0004        | HALOGEN LAMP HOLDER                     |                    | pz | 4   |
| 80  | TBC-MOT           | MOTOR                                   | To order share s/n | pz | 4   |
| 107 | 020ELE0006        | SINGLE SOLENOID VALVE FOR 20 TRAYS OVEN |                    | pz | 4   |